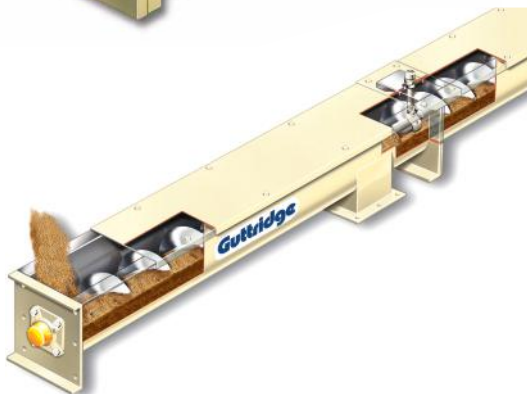
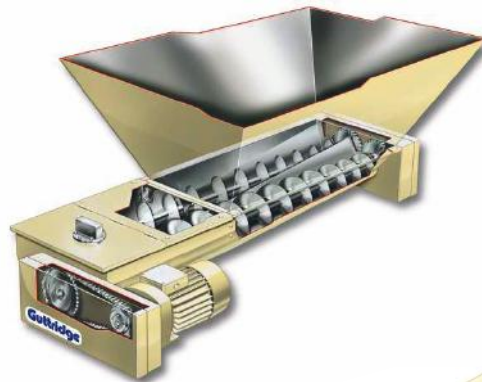


Materials Handling for Feed and Cereals

- Bucket Elevators
- Chain Conveyors
- Screw Conveyors
- Belt Conveyors
- Screw Dischargers



Guttridge

Complete Systems & Project Management

Bulk Materials Handling

www.guttridge.co.uk



Saudi Office:

PO Box 221054
Riyadh 11311

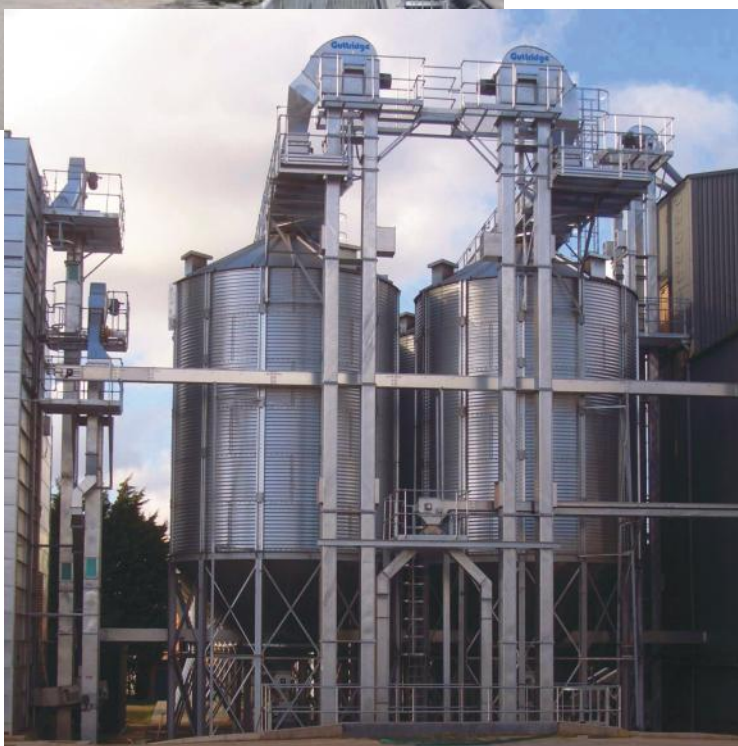
Tel: **+966 11 4059928**
Fax: **+966 11 2767593**
Email: mena@guttridge.co.uk



UK Office:

Guttridge Limited
Wardentree Park
Spalding
Lincolnshire
PE11 3UU
United Kingdom

Tel: **+44 (0) 1775 765 300**
Fax: **+44 (0) 1775 765 304**
Email: sales@guttridge.co.uk



Guttridge

Bulk Materials Handling

www.guttridge.co.uk