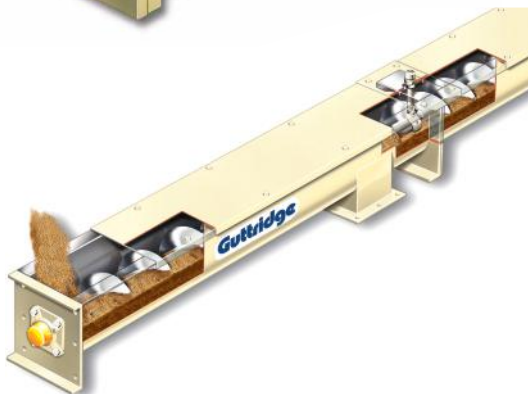
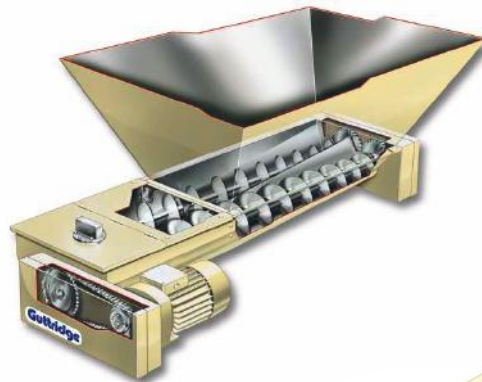


# Materials Handling for Feed and Cereals

- Bucket Elevators
- Chain Conveyors
- Screw Conveyors
- Belt Conveyors
- Screw Dischargers



# Guttridge

## Complete Systems & Project Management

Bulk Materials Handling

[www.guttridge.co.uk](http://www.guttridge.co.uk)



**Saudi Office:**

PO Box 221054  
Riyadh 11311

Tel: **+966 11 4059928**  
Fax: **+966 11 2767593**  
Email: [mena@guttridge.co.uk](mailto:mena@guttridge.co.uk)

**UK Office:**

Guttridge Limited  
Wardentree Park  
Spalding  
Lincolnshire  
PE11 3UU  
United Kingdom

Tel: **+44 (0) 1775 765 300**  
Fax: **+44 (0) 1775 765 304**  
Email: [sales@guttridge.co.uk](mailto:sales@guttridge.co.uk)

# Guttridge

**Bulk Materials Handling**

[www.guttridge.co.uk](http://www.guttridge.co.uk)